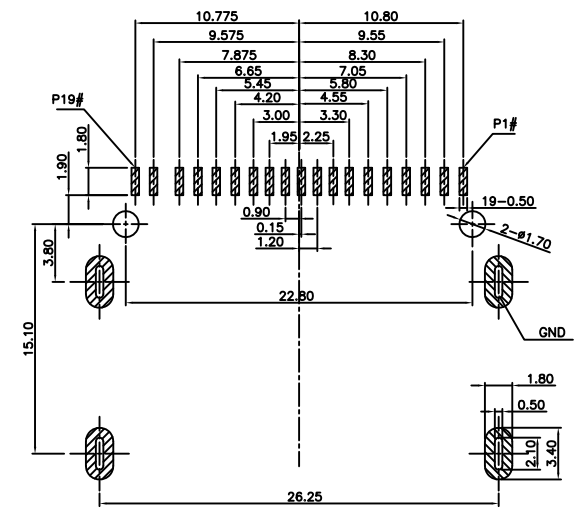
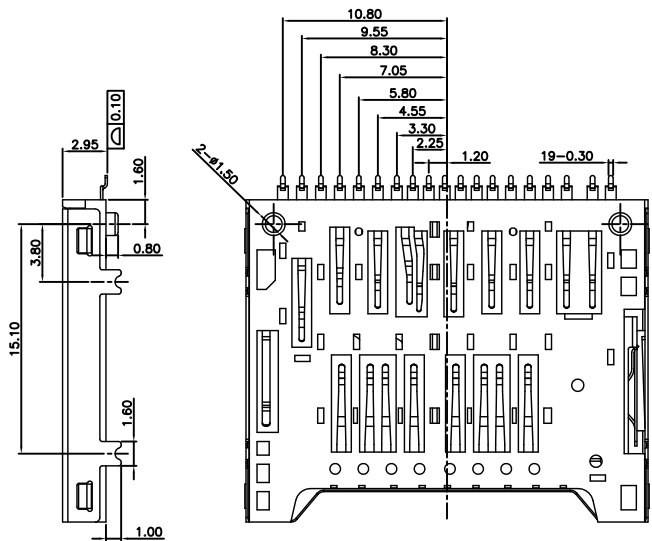
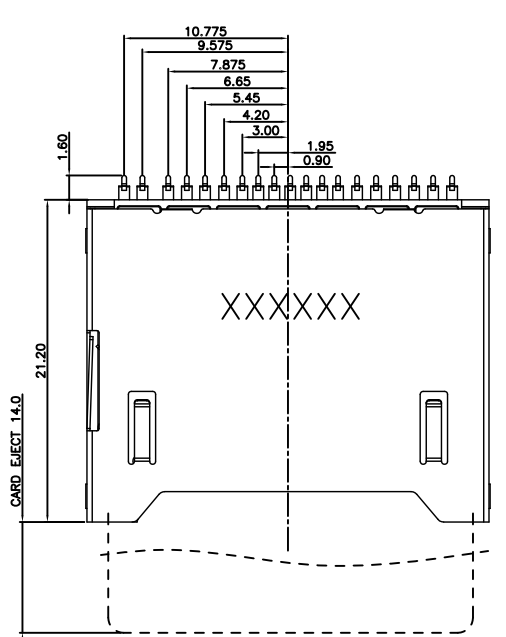


REV.	ECN.NO.	MODIFY.CONTENT
A		NEW



RECOMMENDER PCB LAYOUT  
TOLERANCE UNLESS OTHERWISE IS ±0.05

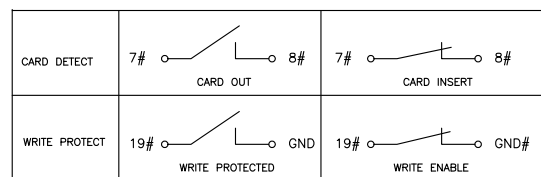
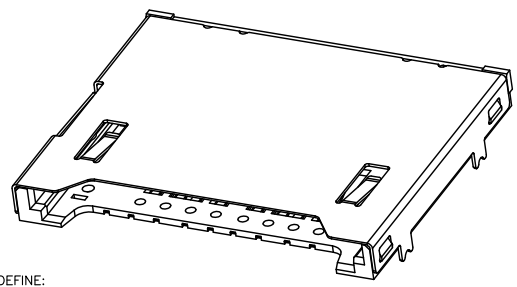
- NOTES :
- MATERIAL :
    - HOUSING:LCP UL94 S475 V-0, BLACK COLOR.
    - SHELL:STAINLESS STEEL SUS304.
    - CONTACT:COPPER ALLOY C5210.
  - FINISH :
    - CONTACT: GOLD PLATING ON CONTACT AREA, MATTE TIN 80u"MIN ON SOLDER TAIL AREA. 50u" MIN NICKEL PLATING OVERALL.
    - SHELL: 30U" MIN SOLDERABLE NICKEL PLATED OVER ALL.
  - ELECTRICAL CHARACTERISTICS:
    - OPERATING VOLTAGE : 100V AC(rms)/DC.
    - CURRENT RATING : 0.5 A.
    - OPERATING TEMPERATURE: -25°C~+85°C.
    - CONTACT RESISTANCE: 100 m OHMS MAX.
    - INSULATION RESISTANCE: 1000M OHMS MIN. AT 250VDC.
    - DIELECTRIC WITHSTANDING VOLTAGE:500 VAC/1MINUTE.

PART.NO.:  
TW93-AN401-\*\*

42: 功能区镀金1U", 锡脚镀雾纯锡至少100U"  
43: 功能区镀金3U", 锡脚镀雾纯锡至少100U"  
44: 功能区镀金5U", 锡脚镀雾纯锡至少100U"  
45: 功能区镀金10U", 锡脚镀雾纯锡至少100U"  
46: 功能区镀金15U", 锡脚镀雾纯锡至少100U"  
47: 功能区镀金30U", 锡脚镀雾纯锡至少100U"

PIN DEFINE:

PIN#	NAME	DESCRIPTION	PIN#	NAME	DESCRIPTION
1	VSS3	GROUND	11	VDD1	SUPPLY VOLTAGE
2	DAT2	DATA LINE BIT2	12	D1-	DIFFERENTIAL DATE 1-
3	D0+	DIFFERENTIAL DATE 0+	13	CLK	CLOCK
4	CD/DAT3	CARD DETECT/DATA LINE BIT3	14	D1+	DIFFERENTIAL DATE 1+
5	D0-	DIFFERENTIAL DATE 0-	15	VSS2	SUPPLY VOLTAGE GROUND
6	CMD	COMMAND/RESPONSE	16	VSS5	GROUND
7	CD	CARD DETECT	17	DAT0	DATA LINE BIT0
8	VSS1	SUPPLY VOLTAGE GROUND	18	DAT1	DATA LINE BIT1
9	VSS4	GROUND	19	WP	WRITE PROTECT
10	VDD2	SUPPLY VOLTAGE(1.8V)			



GENERAL TOLERANCE		DWG.NO.	TW93-AN401-00	PART.NO.	TW93-AN401-**	DRAWN	L.M.J 2019.06.15	UNIT	mm	SCALE	1:1
x.±0.50	x. °±5°	REV.	A	TITLE	SD4.0 No Push H2.95 Conn.	CHECKED		东莞市欧联电子科技有限公司 DONGGUAN OLN ELECTRONICS TECHNOLOGY CO., LTD.			
.x±0.25	.x °±2°	SIZE	A4	SHEET	1/2	APPROVED					
.xx±0.15	.xx °±1°										

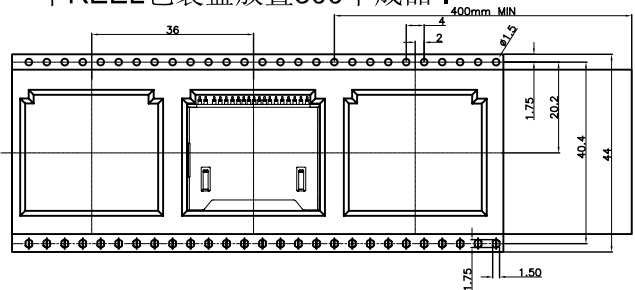
# 东莞市欧联电子科技有限公司

REV.	ECN.NO.	MODIFY.CONTENT
A		NEW

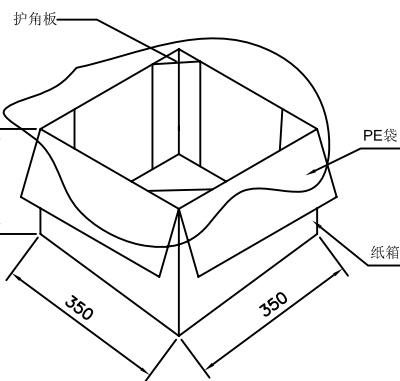
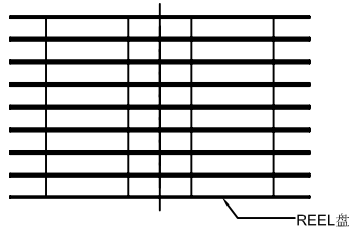
## 包装作业规范

### 包装作业图示及说明 (PACKING OPERATION DIAGRAM & INSTRUCTION)

- 一.
- 1) 将成品一一放入REEL包装盘内,依同一方向放入.
  - 2) 包装时,如图所示.
  - 3) 一个REEL包装盘放置300个成品.



- 三.
- 1) 每箱装 6 盘REEL包装盘.
  - 2) 每箱放置1800PCS 的成品.

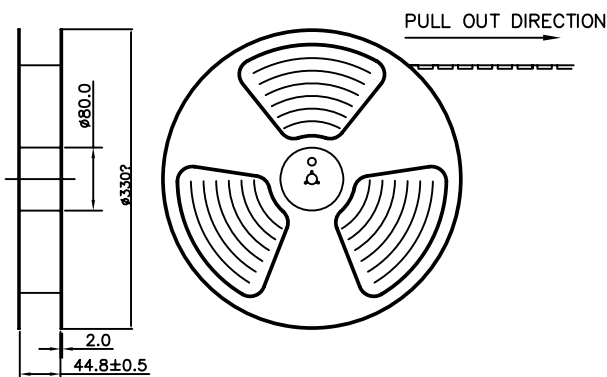


- 四.
- 1) 用TAPE将纸箱封实.

ITEM NO:	PCS
Q TY.:	KGS
G.W.:	KGS
N.W.:	cm
MEAS:	

C/NO:  
MADE IN CHINA

- 二.
- 1) 装盘前先把前面空11pcs产品,然后再开始装盘,尾端也需空10pcs产品.
  - 2) 装满成品的REEL包装盘如下图所示.



#### 备注 (REMARK)

1. 若有未装满之零数箱,必须以缓冲材塞满.

GENERAL TOLERANCE	TOLERANCE	DWG.NO.	TW93-AN401-00	PART.NO.	TW93-AN401-**	DRAWN	L.M.J 2019.06.15
x.±0.50	x. °± 5°	REV.	B	TITLE	SD4.0 NO PUSH板上铁壳DIP型	CHECKED	
.x±0.25	.x °± 2°	SIZE		SHEET	2 OF 2	APPROVED	
.xx±0.15	.xx ± 1°	A4					

UNIT	mm	SCALE	1:1
东莞市欧联电子科技有限公司 DONGGUAN OLN ELECTRONICS TECHNOLOGY CO., LTD.			